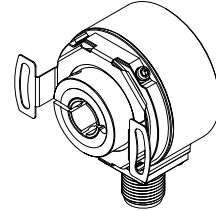


1. KH42 Ultra-high Resolution Incremental Optical Encoder (Through shaft)

1.1 Introduction:

This product is an incremental high-resolution encoder, through shaft miniaturization rugged shape, clasp mounting flexible spring plate fixed, protection grade IP65, easy to install, commonly used in space-constrained industrial automation fields.

KH42-C



1.2 Feature:

- Encoder diameter Ø42mm, Thickness 33mm, Hollow shaft up to Ø10mm;
- Adopt ring locking structure, flexible spring plate installation(Ø46mm);
- Adopt non-contact photoelectric principle;
- With short circuit protection;
- Various electrical interfaces available;
- Resolution per turn up to 20Bits.

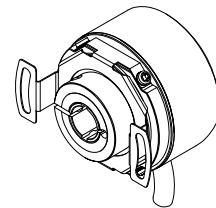
1.3 Application:

Servo motor, robot, CNC and other automation control fields.

1.4 Connection:

- Radial socket (M12 8pin male socket)
- Cable connection (standard length 1000mm)

KH42-S



1.5 Protection:

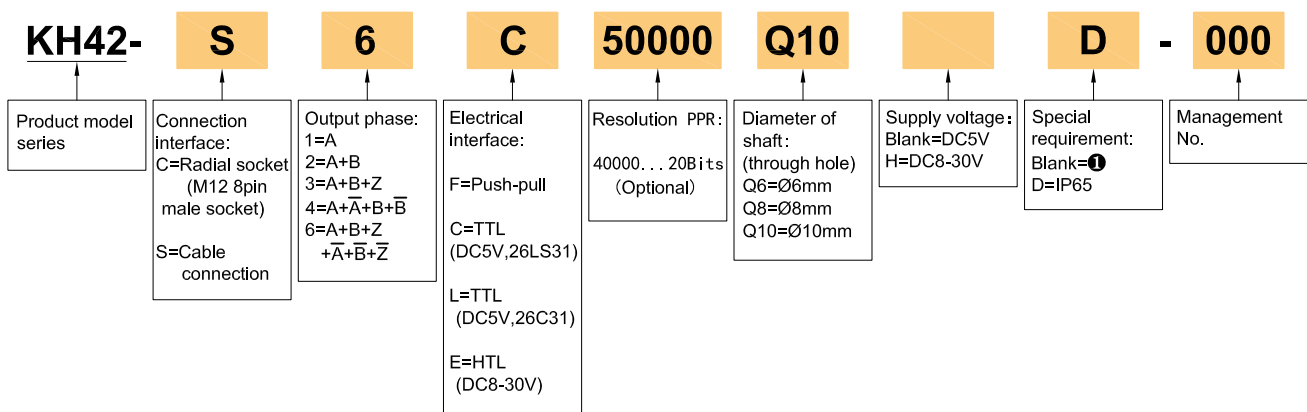
IP50 & IP65

1.6 Weight:

About 150g

2. Model Selection Guide

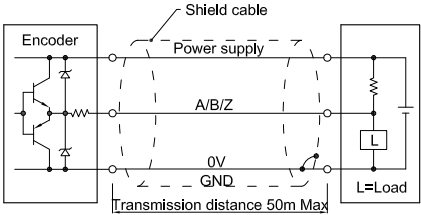
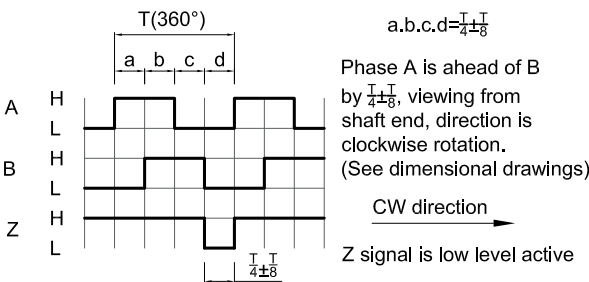
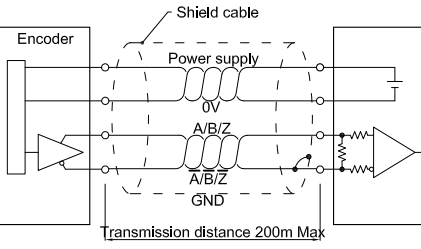
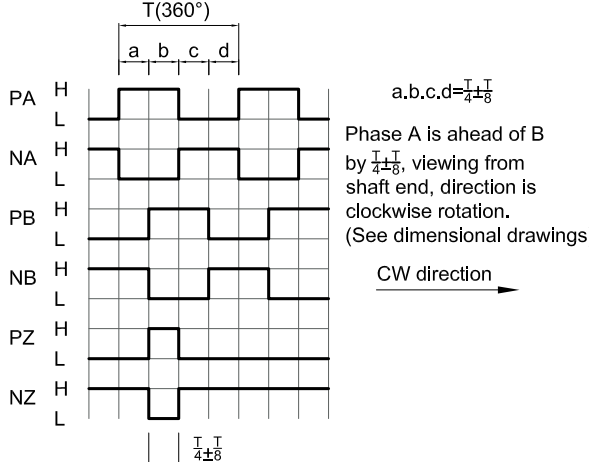
2.1 Model composition(select parameters)



2.2 Note

- ① IP=50; Cable length 1m, if you need to change the length C+number, max 100m(indicated by C100).

3. Output Method

Electrical interface	Output circuit	Output wave form
<p>Push-pull</p>		 <p> $a.b.c.d = \frac{T}{4} \pm 8\%$ Phase A is ahead of B by $\frac{T}{4} \pm 8\%$, viewing from shaft end, direction is clockwise rotation. (See dimensional drawings) CW direction → Z signal is low level active </p>
<p>TTL (DC5V) HTL (DC8-30V)</p>		 <p> $a.b.c.d = \frac{T}{4} \pm 8\%$ Phase A is ahead of B by $\frac{T}{4} \pm 8\%$, viewing from shaft end, direction is clockwise rotation. (See dimensional drawings) CW direction → </p>

4. Electrical Parameters

Parameter		Output type	Push-pull	TTL	HTL
Item					
Supply voltage			DC+5V±5%; DC8-30V±5%	DC+5V±5%	DC8-30V±5%
Consumption current			100mA Max	120mA Max	
Allowable ripple			≤3%rms		
Top response frequency			100KHz	500KHz	800KHz
Output capacity	Output current	Input	≤30mA		
		Output	≤10mA		
	Output voltage	"H"	≥[(Supply voltage) -2.5V]	≥2.5V	≥V _{CC} -3 V _{DC}
		"L"	≤0.4V(30mA)	≤0.5V	≤ 1V V _{DC}
Load voltage		—			
Rise & Fall time		Less than 2us(cable length: 2m)	Less than 1us(Cable length: 2m)		
Insulation strength		AC500V 60s			
Insulation resistance		10MΩ			
Mark to space ratio		45% to 55%			
Short-circuit protection		✔❶			
Phase shift between A & B		90°±10° (frequency in low speed)			
		90°±20° (frequency in high speed)			
GND		Not connect to encoder			

❶ Short-circuit to another cable or GND permitted for max 30s.



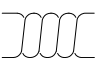

5. Mechanical Specifications

Diameter of shaft	Ø6mm; Ø8mm; Ø10mm (optional)
Starting torque	Less than $9.8 \times 10^{-3} \text{N} \cdot \text{m}$
Inertia moment	Less than $6.5 \times 10^{-6} \text{kg} \cdot \text{m}^2$
Shaft load	Radial 30N; Axial 20N
Slew speed	≤6000 rpm
Bearing Life	1.5×10^9 revs at rated load(100000hrs at 2500RPM)
Shell	Aluminium alloy
Weight	about 150g

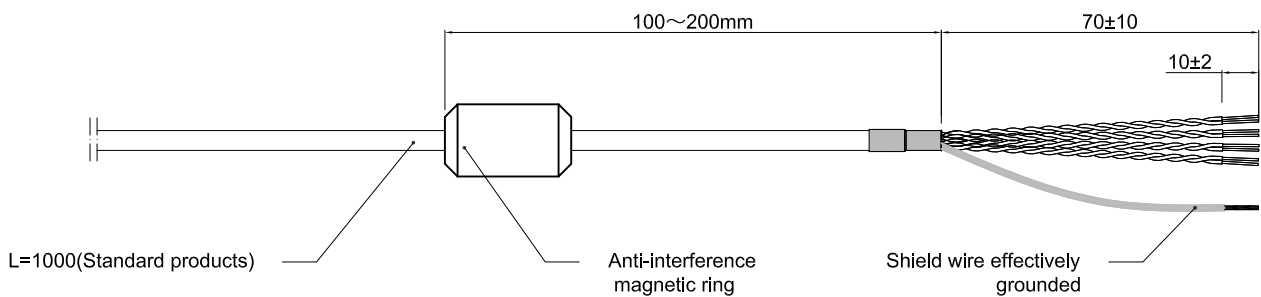
6. Environmental Parameters

Environmental temperature	Operating: $-40 \sim +95^\circ\text{C}$ (repeatable winding cable: -10°C); Storage: $-40 \sim +95^\circ\text{C}$
Environmental humidity	Operating and storage: 35~85%RH(noncondensing)
Vibration(Endurance)	Amplitude 0.75mm,5~55Hz,2h for X,Y,Z direction individually
Shock(Endurance)	490m/s^2 11ms three times for X,Y,Z direction individually
Protection	IP50 & IP65

7. Wiring Table

Socket pin definition (M12 8-pin male socket)	Wire colors (cable connection)	Signal	Explanation	Twisted wire for differential
1	Red	Up	Power positive	
2	Black	Un	Power negative	
3	White	A	Signal wire	
4	White/BK	\bar{A}	Signal wire	
5	Green	B	Signal wire	
6	Green/BK	\bar{B}	Signal wire	
7	Yellow	Z	Signal wire	
8	Yellow/BK	\bar{Z}	Signal wire	
GND	GND	No encoder body connected		

Radial cable wire diagram

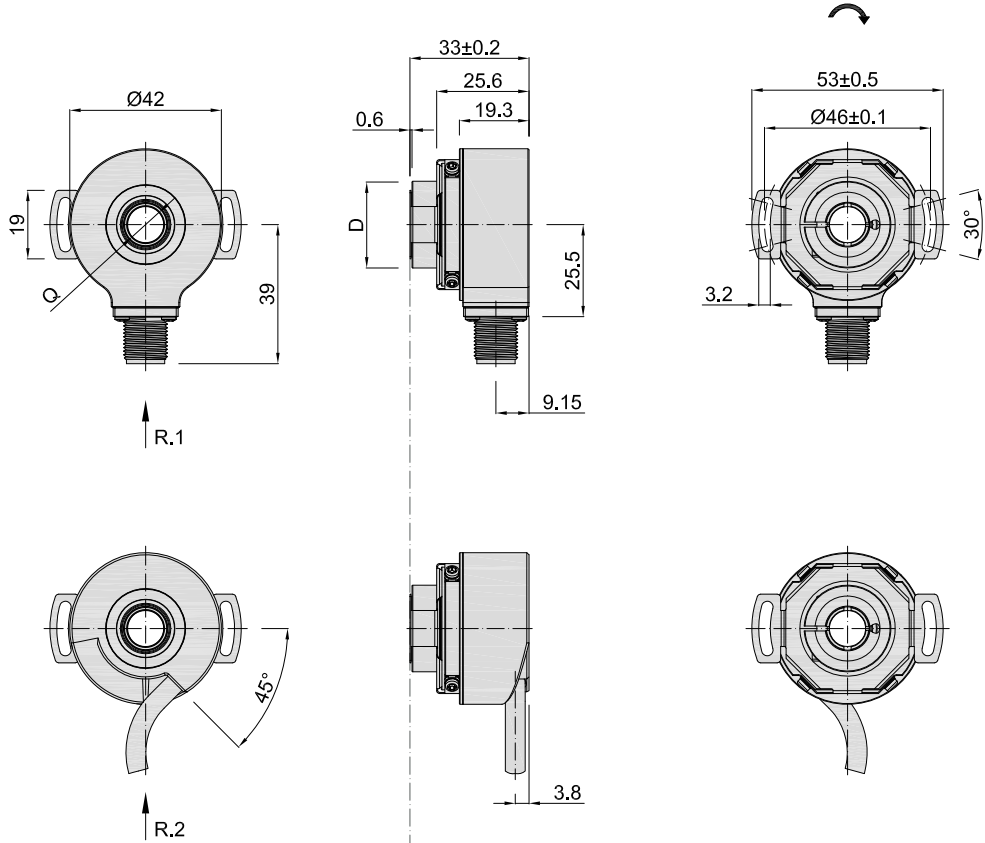


KH42 INCREMENTAL Ver. 3.0 Page 6/8

8. Basic Dimensions

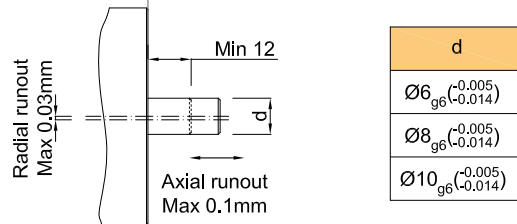
8.1 Dimensions

Q(Shaft)	D
$\varnothing 6^{G7}_{(+0.020, +0.005)}$	$\varnothing 20$
$\varnothing 8^{G7}_{(+0.020, +0.005)}$	$\varnothing 22$
$\varnothing 10^{G7}_{(+0.020, +0.005)}$	$\varnothing 24$

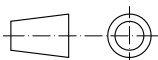


8.2 Mounting shaft requirements

Mounting screws
Inner hexagon bolt +flat washer Specification: M3*6 Material: stainless steel Quantity: 2



Unit: mm





- ↻ = Shaft rotation direction of the incremental signal output
- R.1 = Radial socket(M12x1 8pin male connector)
- R.2 = Radial cable(standard length 1000mm)

About vibration

Vibration act on encoder always cause wrong pulse, so we should pay attention to working place. More pulse per revolution, narrower groovy spacing of grating, more effect to encoder by vibration, when rev is low or stop, vibration act on shaft or main body would cause grating vibrating, so encoder might make wrong pulse.

9. Recommended Accessories

Plug and cable	Brief description	No.	Order No.
	C2C=Connection type head A: M12, 8-pin female straight connector; Connection type head B: M12, 8-pin male straight connector; Cable length: 2M 8-core with shield,halogen-free PUR	K77C2C	44400001
	C5C=Connection type head A: M12, 8-pin female straight connector; Connection type head B: M12, 8-pin male straight connector; Cable length: 5M 8-core with shield,halogen-free PUR	K77C5C	44400002
	C1=Connection type head A: M12, 8-pin female straight connector; Connection type head B: Bare wire end; Cable length: 1M 8-core with shield,halogen-free PUR	K77C1	44400003
	C2=Connection type head A: M12, 8-pin female straight connector; Connection type head B: Bare wire end; Cable length: 2M 8-core with shield,halogen-free PUR	K77C2	44400004
	C5=Connection type head A: M12, 8-pin female straight connector; Connection type head B: Bare wire end; Cable length: 5M 8-core with shield,halogen-free PUR	K77C5	44400005

10. Caution

10.1 Caution for operation

- The working temperature shall not exceed the storage temperature.
- The working humidity shall not exceed the storage humidity.
- Do not use where the temperature changes dramatically and have fog.
- Do not close to corrosive and flammable gas.
- Keep away from dust, salt and metal powder.
- Keep away from places where you will use water, oil, or medicine.
- Undue vibration and shock will impact the encoder.

10.2 Caution for Installation

- Electrical components should not be subjected to excessive pressure, etc., and electrostatic assessment of the installation environment should be conducted.
- Do not close the cable of the motor power to the encoder.
- The FG wire of the motor and mechanical device should be grounded.
- The shielding wire must be effectively grounded since the shielding is not connected to the encoder.

10.3 Caution for wiring

- Use the encoder under the specified supply voltage. Please note that the supply voltage range may drop due to the wiring length.
- Do not put the encoder wiring and other power lines through the same duct, and do not use them by bundling in parallel.
- Please use twisted pair wires for the signal and power wires of encoder.
- Please do not apply excessive force to the cable of encoder, or it will may be damaged.